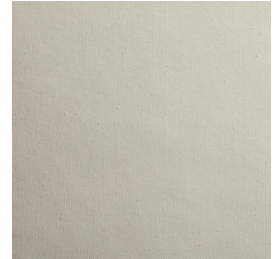
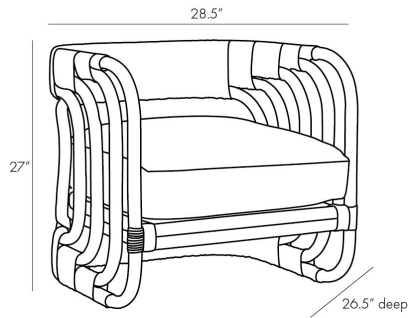


ARTERIOS

HAMZA CHAIR



5634

H: 27 IN, W: 28.5 IN, D: 26.5 IN

Muslin

Contract Recommendations: Adding a lacquer coating provides additional pro-

Concentric layers of thick, palm gray rattan poles frame the foundation of this elegantly eccentric and wildly organic chair. The rounded arms seamlessly flow into a tightly wrapped pencil rattan back that sits low for maximum support. A plush cushion completes the seat for extreme comfort and functionality. We've covered this one in muslin, allowing you to upholster in the fabric of your choice. Its natural aesthetic allows this

APPEARANCE

Material	Muslin, Rattan
Finish	Palm Gray, White
Finish Will Vary	true
Top Coat/Sealant	false

DIMENSIONS

Foot Print	W: 28.5 IN, D: 26.5 IN
Clearance	8 IN
Seat Cushion Thickness	8 IN
Seat Height	19 IN
Seat	W: 24 IN, D: 26 IN

SHIPPING

Shipping Requirements	TruckShip
Product Weight	50.3 LBS
Gross Weight 1	61.73 LBS
Gross Weight 2	4 LBS
Shipping Box 1	H: 30.25 IN, L: 31.75 IN, W: 30.75 IN
Shipping Box 2	H: 10 IN, L: 28 IN, W: 26 IN

CONTRACT

Contract Suitable	Adding a lacquer coating provides additional protection
Fabric Composition	100% Cotton
Fabric Double Rub Count	12,000
Fabric Compliancy	NFPA-260, TB117-2013
Contract Textile Suitability	Not Contract Suitable
Swatch Number	X60SW